



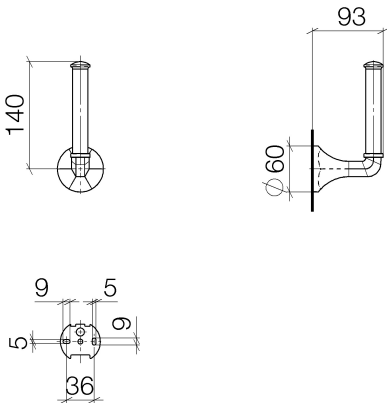
WC - Madison
Reserve tissue holder - platinum matte
Article number: 83 590 361-06

- Height 6-3/4"
- Flange diameter 2-3/8"
- 3-5/8" Projection



platinum matte

Dimensional drawing



All dimensions in mm / inch = mm x 0,0394



WC - Madison

Reserve tissue holder - platinum matte

Article number: 83 590 361-06



WC - Madison
Reserve tissue holder - platinum matte
Article number: 83 590 361-06

Other surface finishes



polished chrome
83 590 361-00



platinum
83 590 361-08



Durabronze
83 590 361-09



Dark Brass matte
83 590 361-16



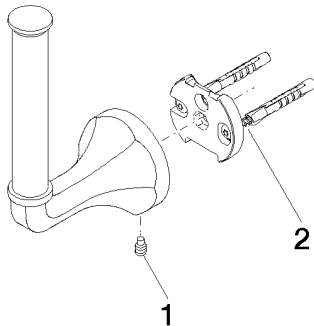
Dark Bronze matte
83 590 361-17



Dark Platinum matte
83 590 361-99

More custom finish options are available via special production (xTra Service). Please see our finish matrix for availability and pricing or contact a Dornbracht representative.

Spare parts list



Number	Item Number	Designation	Number of units
--------	-------------	-------------	-----------------